

# BRINK

BRINK-MANUAL

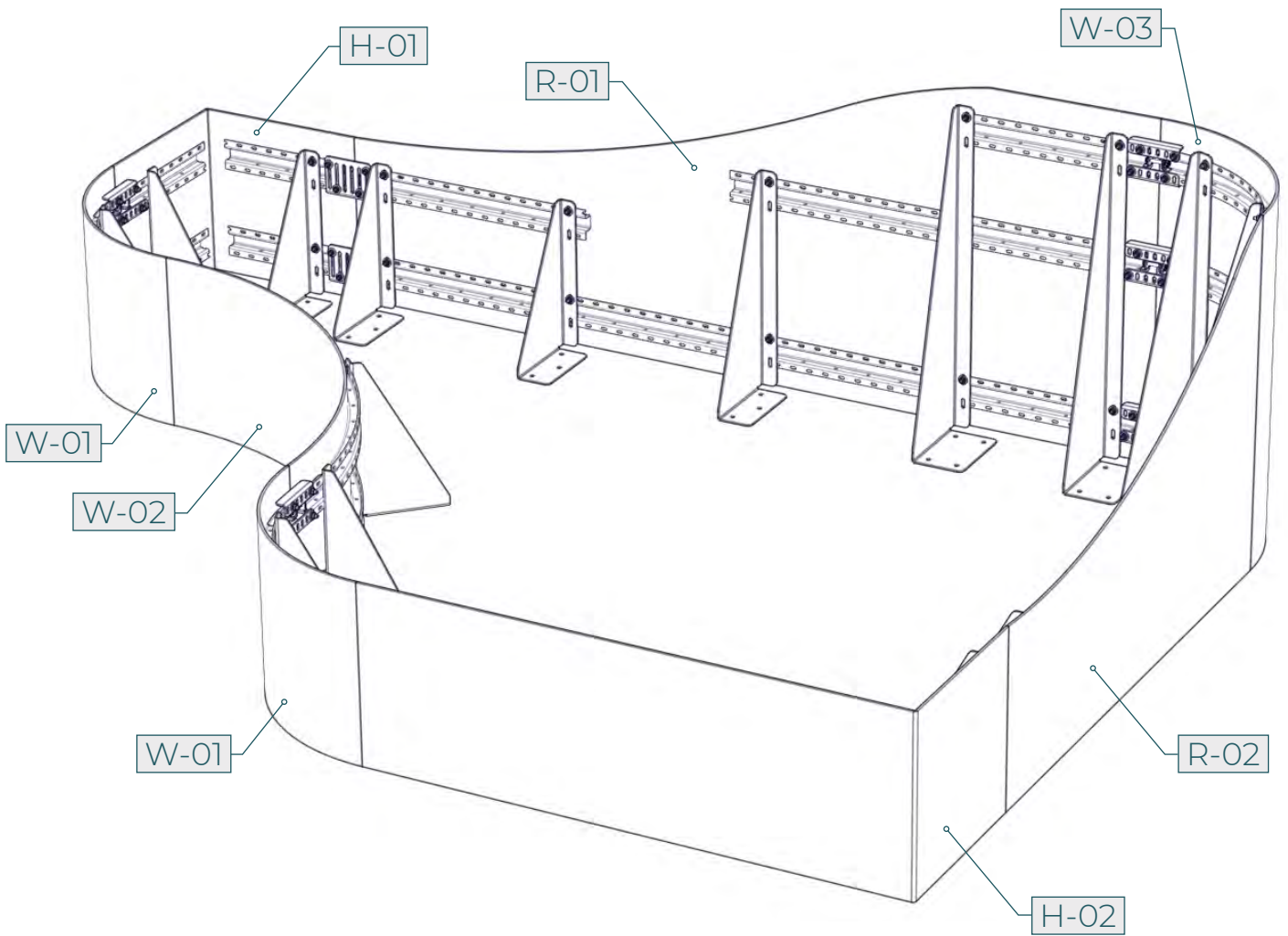


wibio

Ambachtsstraat 34 - 2390 Malle - Belgium · t: +32 3 309 35 42 · e: hello@wibio.be · www.wibio.be  
VAT BE 0869 824 932 · IBAN BE02 3200 7045 7840 · BIC/SWIFT BBRUBEBB

# BRINK

## BRINK- OVERVIEW



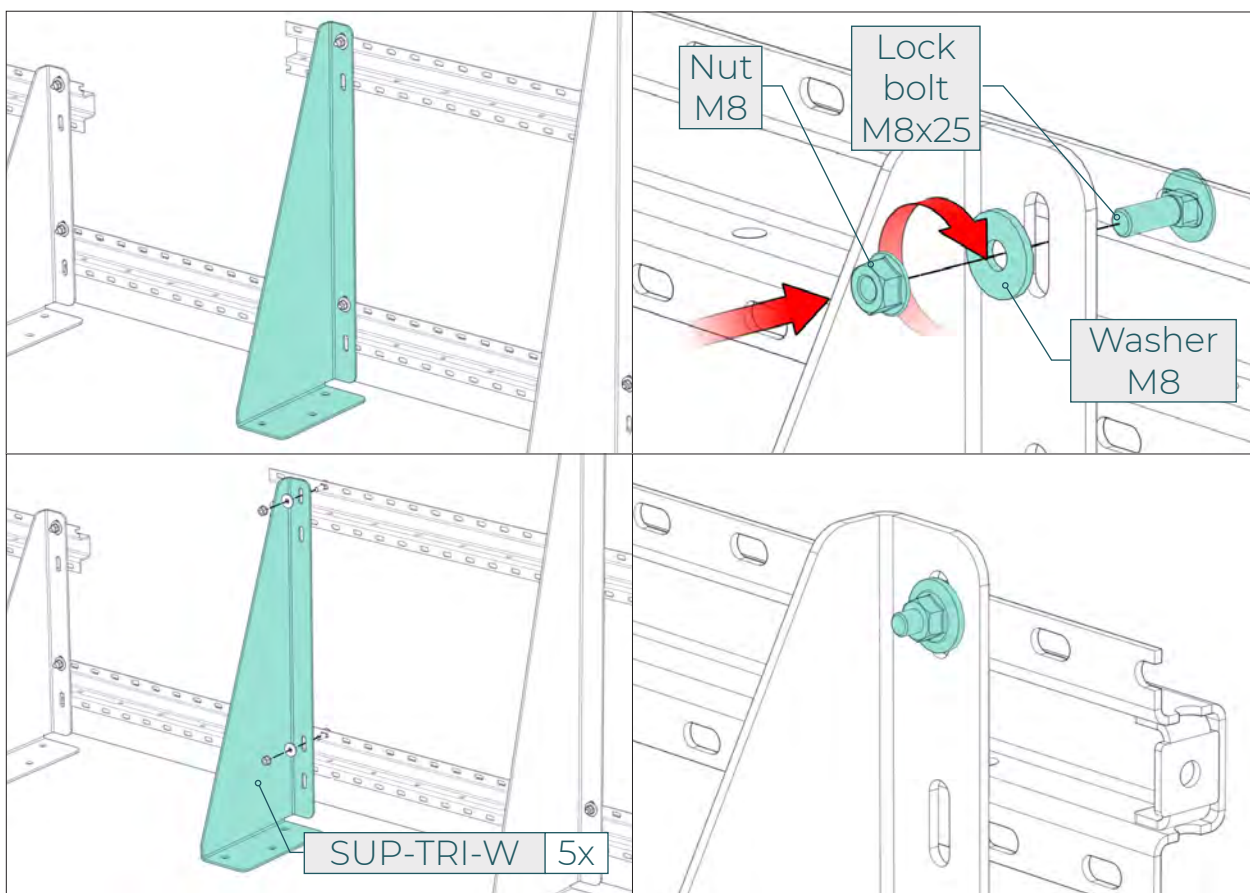
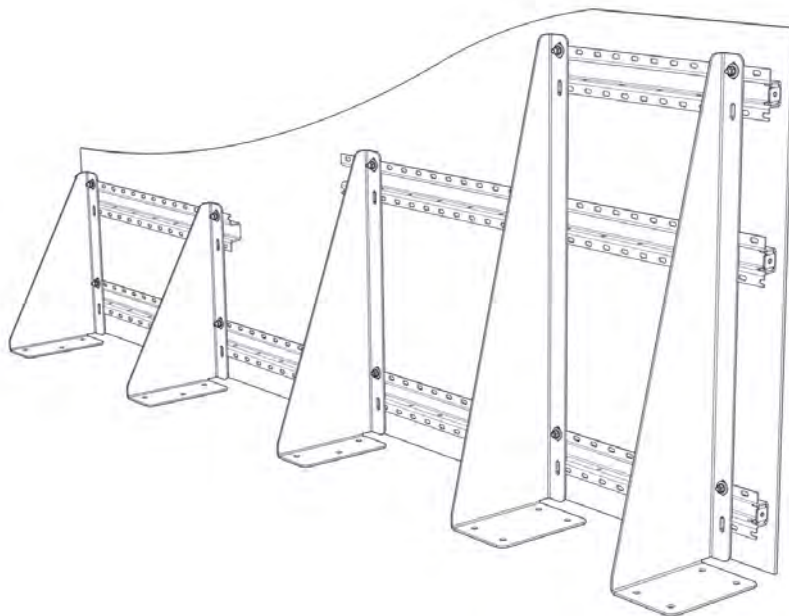
Nut M8



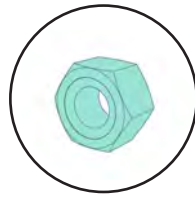
Washer M8



Lock bolt  
M8x25



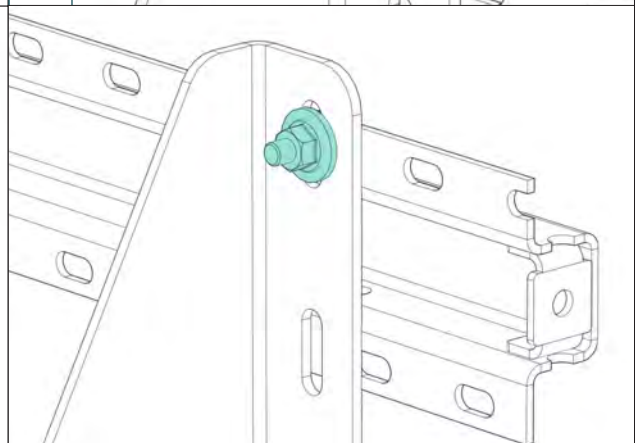
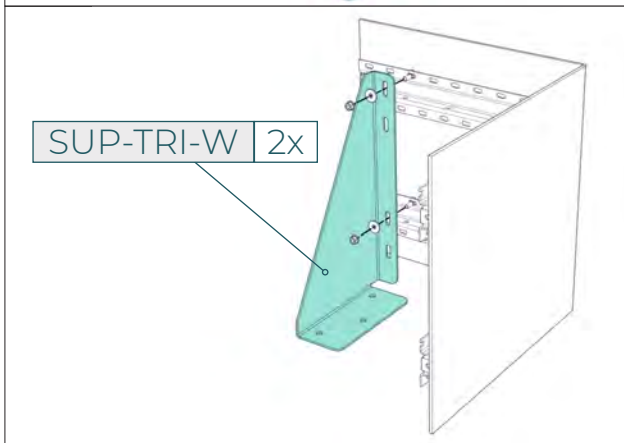
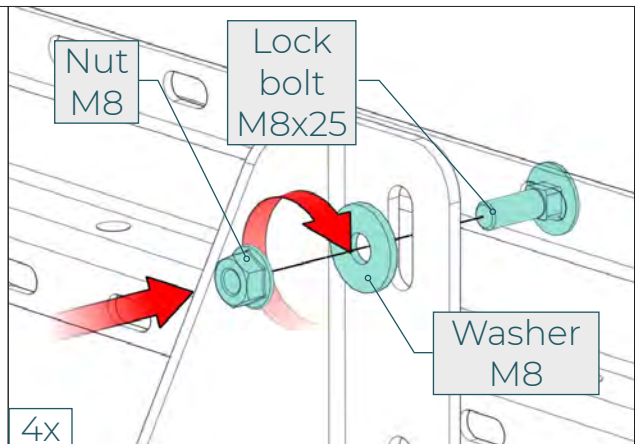
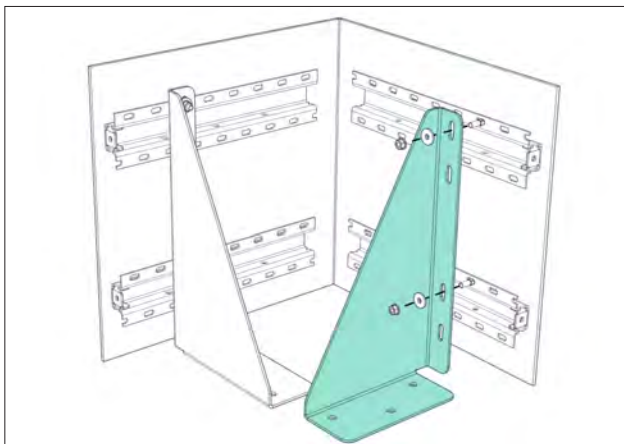
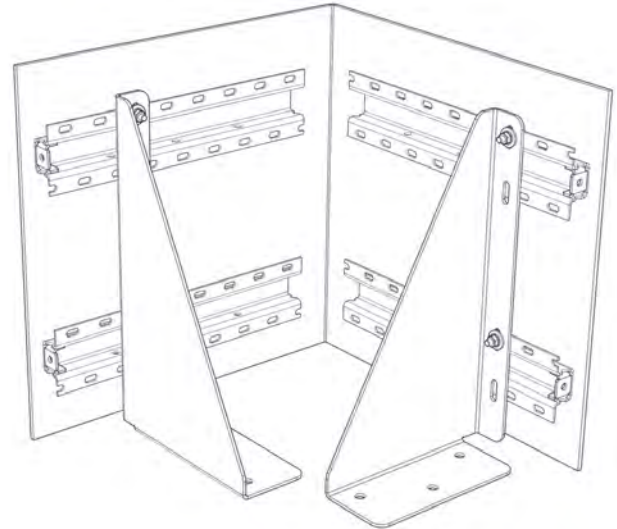
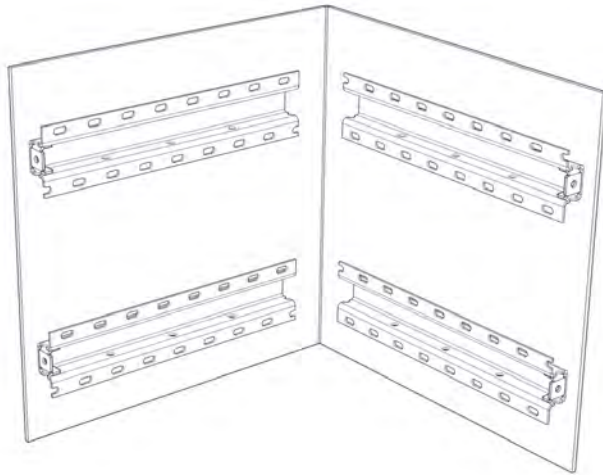
Nut M8



Washer M8



Lock bolt  
M8x25



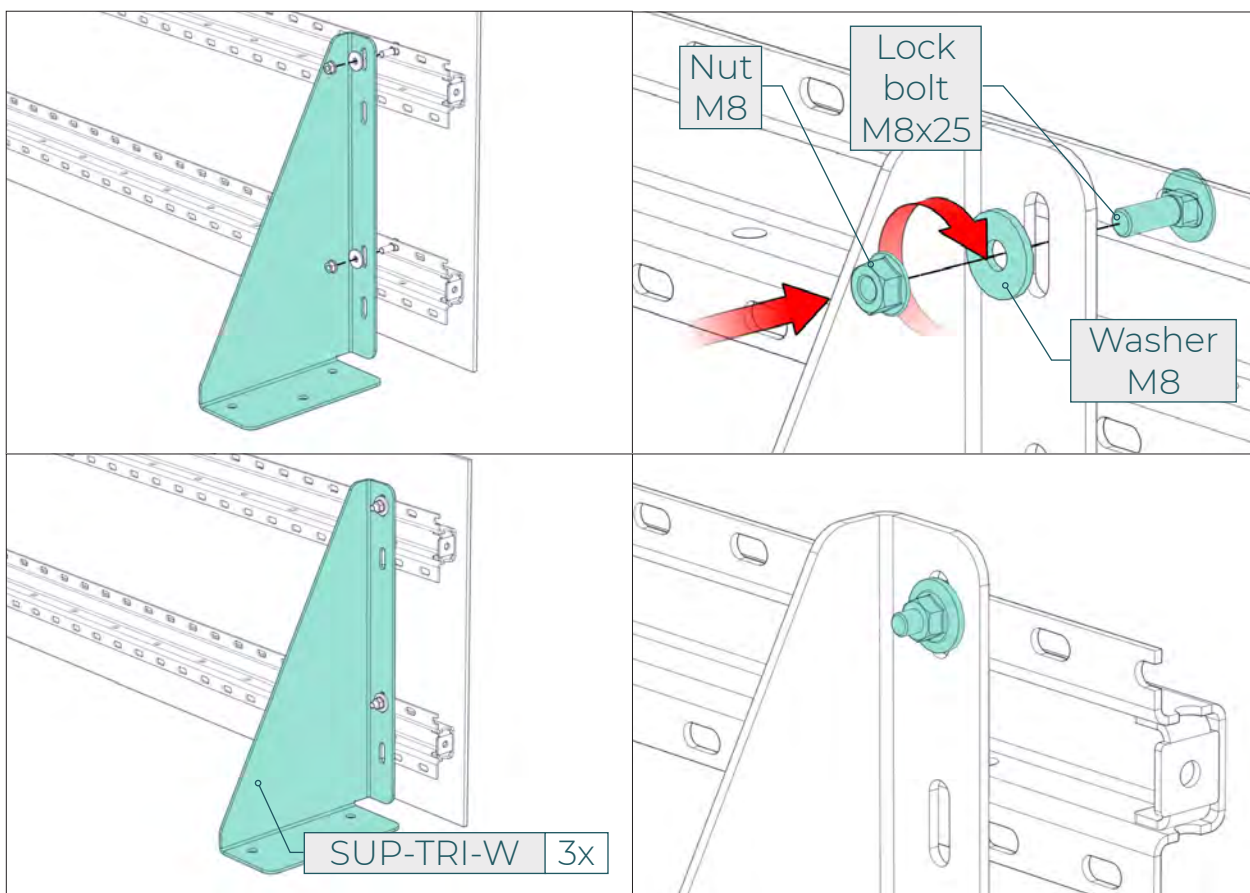
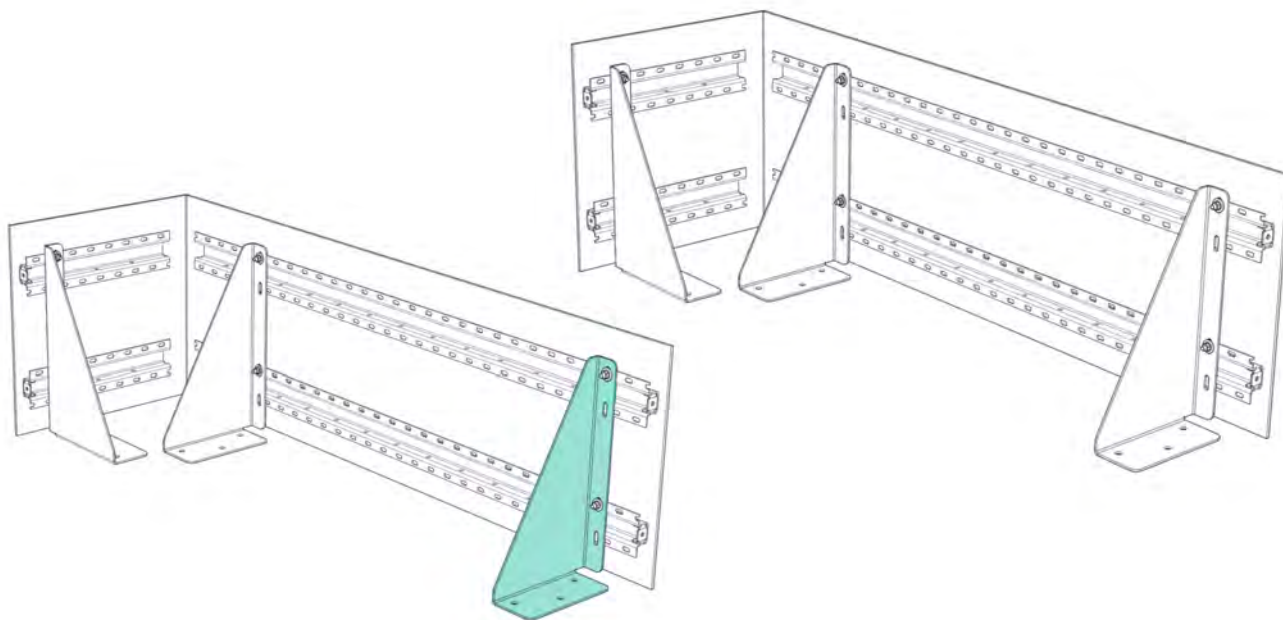
Nut M8



Washer M8



Lock bolt  
M8x25



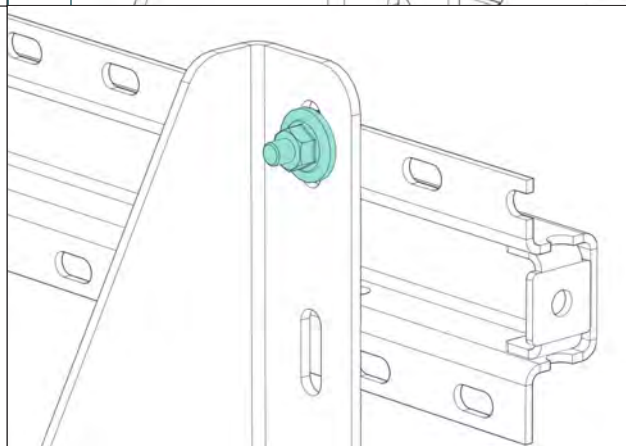
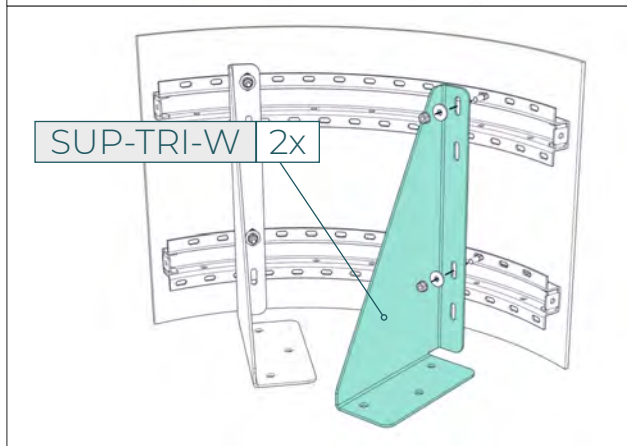
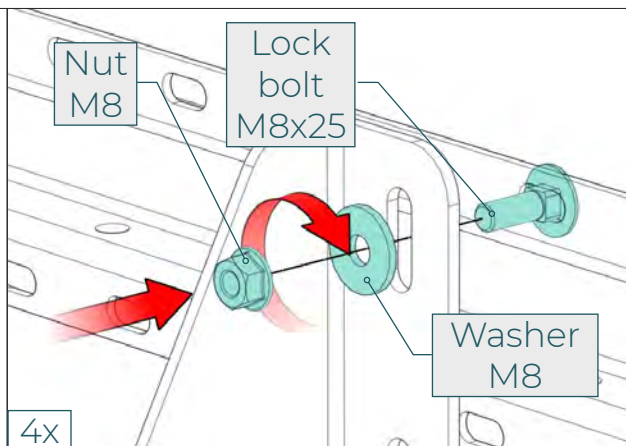
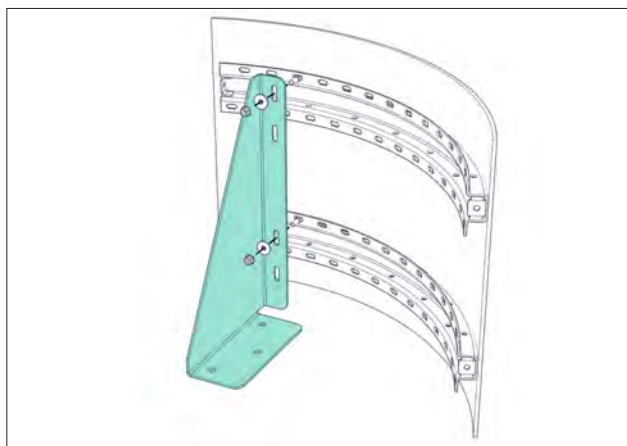
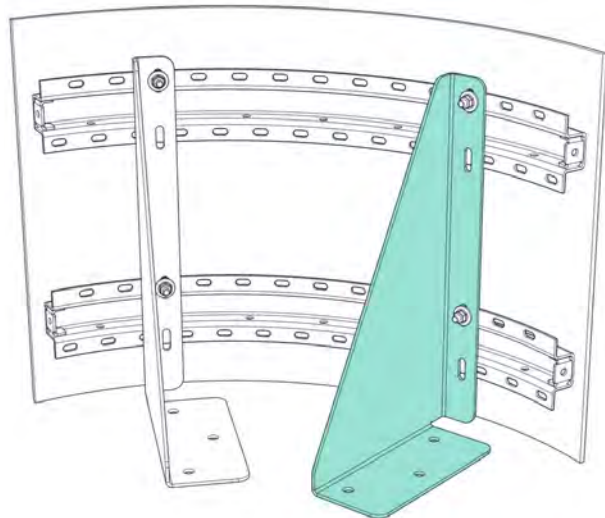
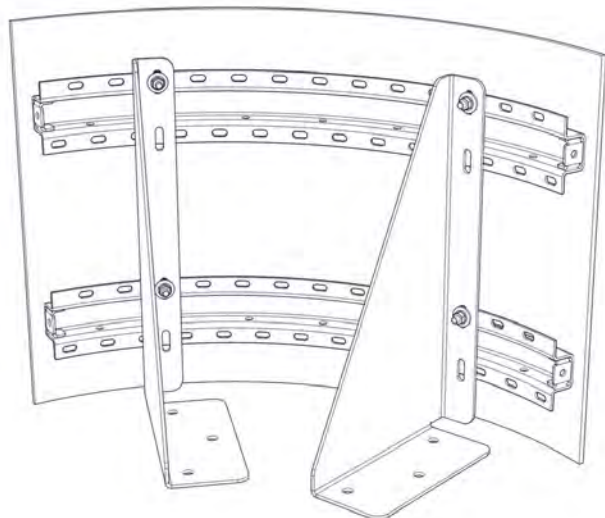
Nut M8



Washer M8



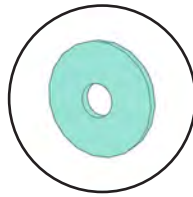
Lock bolt  
M8x25



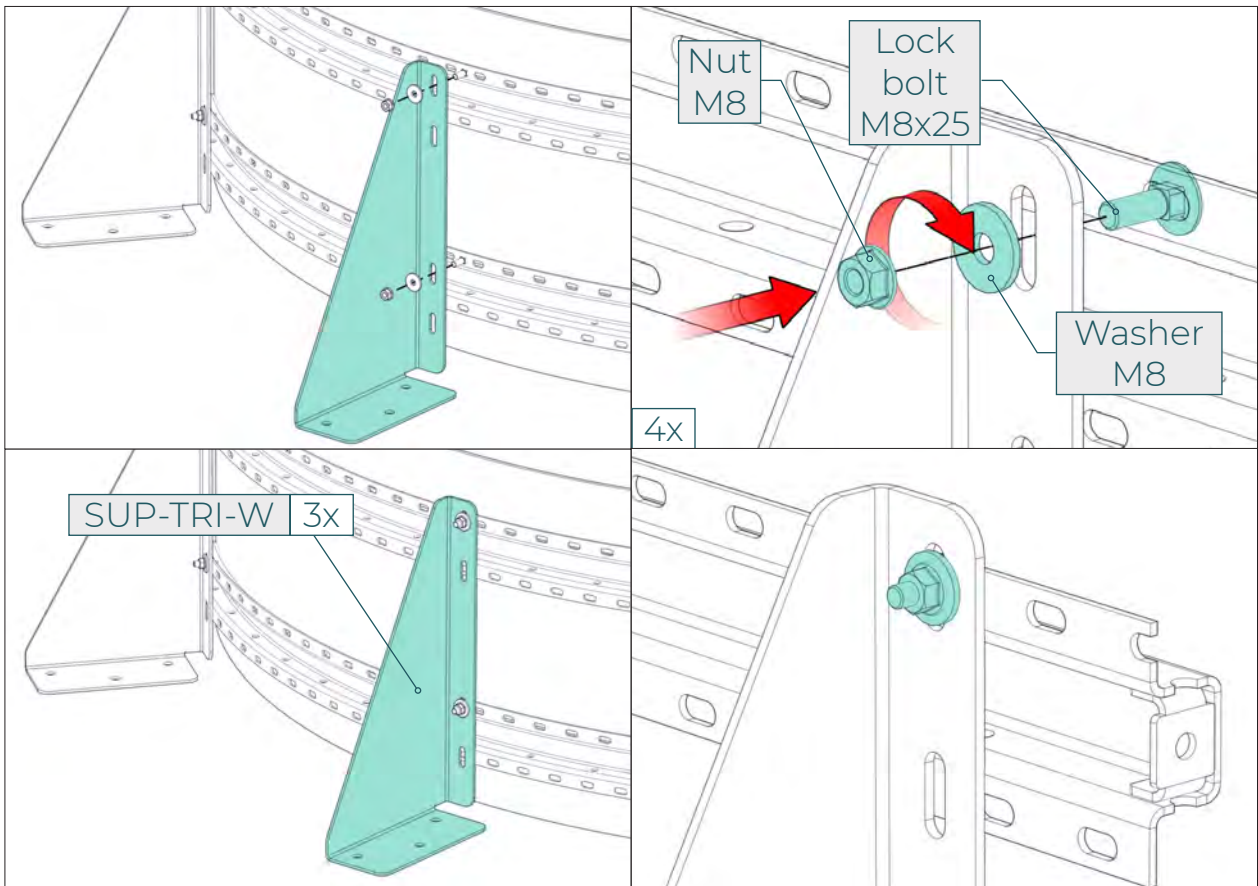
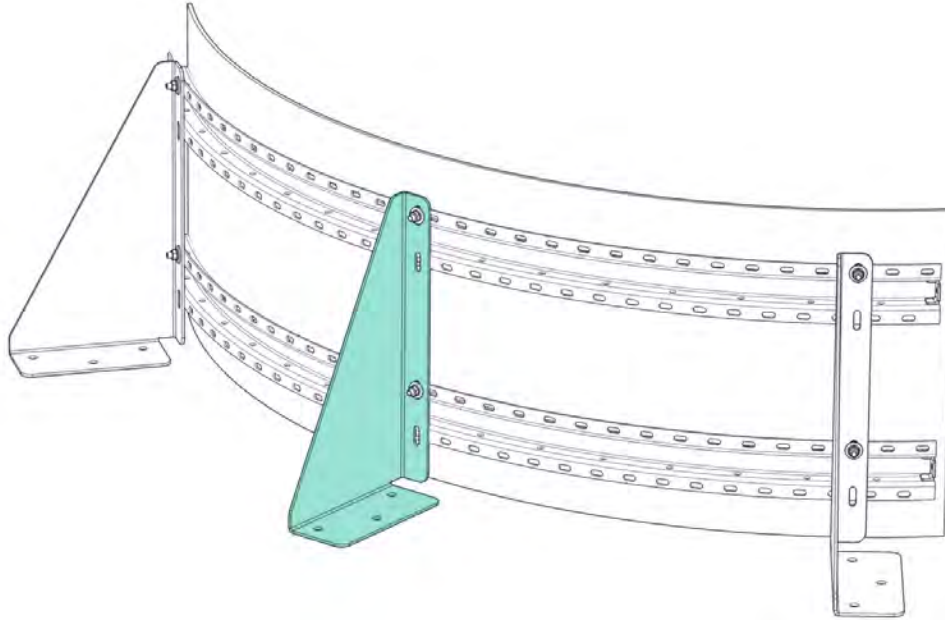
Nut M8



Washer M8

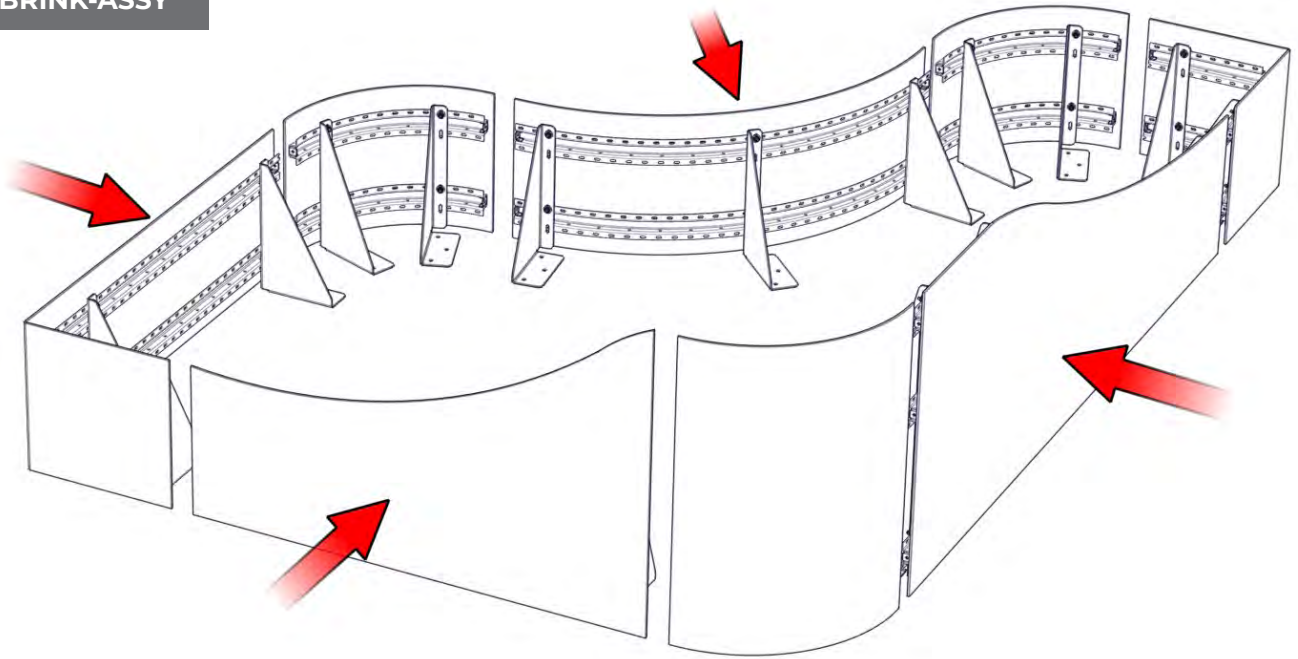


Lock bolt  
M8x25



# BRINK

## BRINK-ASSY



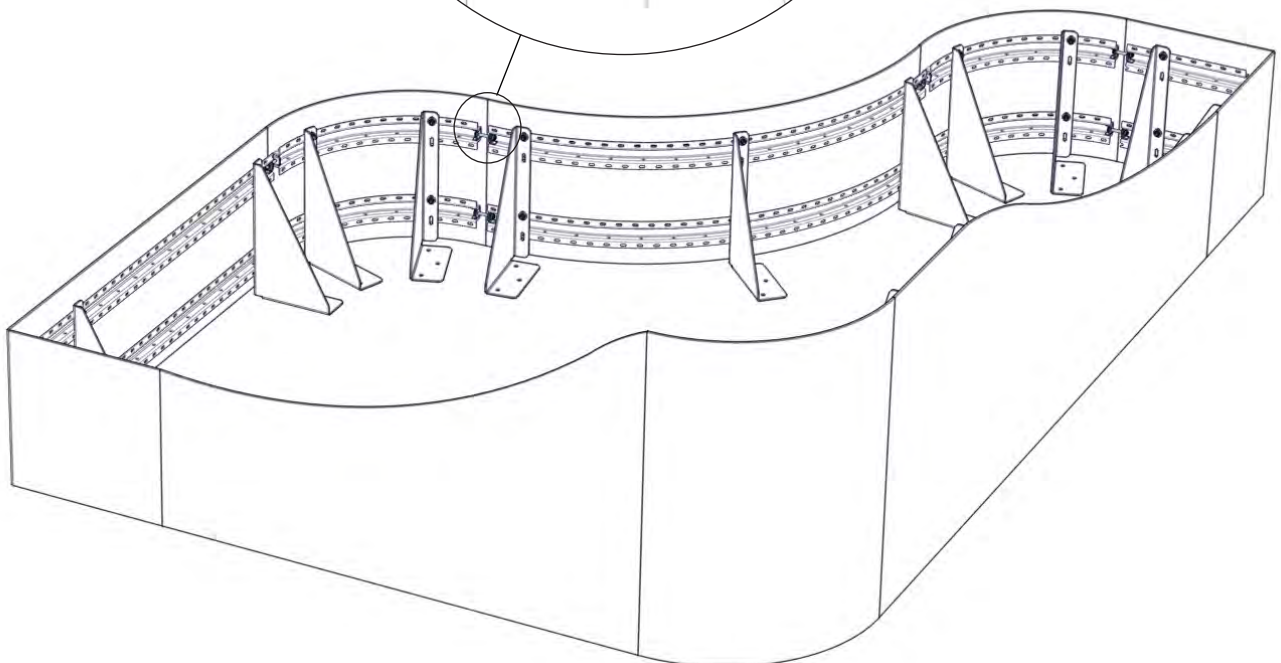
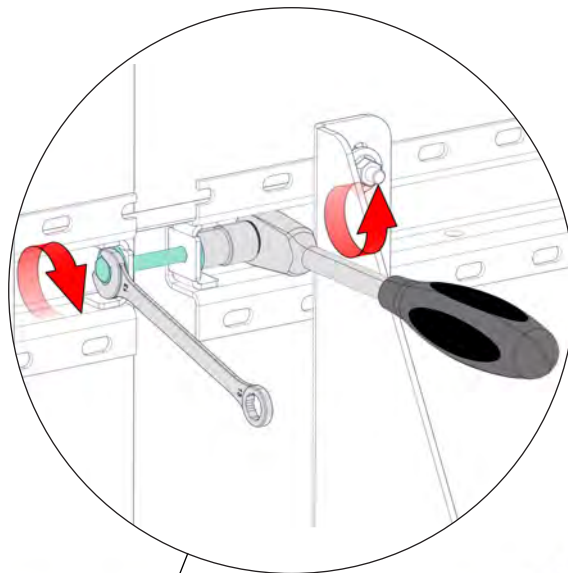
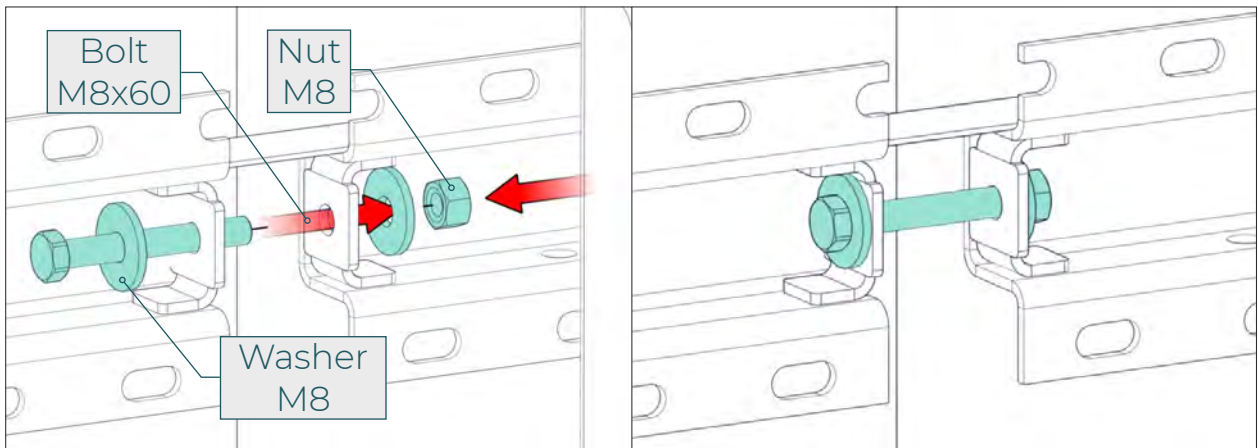
wibio

Ambachtsstraat 34 - 2390 Malle - Belgium · t: +32 3 309 35 42 · e: hello@wibio.be · www.wibio.be  
VAT BE 0869 824 932 · IBAN BE02 3200 7045 7840 · BIC/SWIFT BBRUBEBB

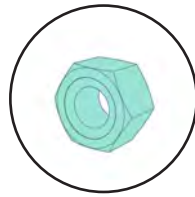




**FIX PANELS ONLY AFTER INSTALLING ALL**



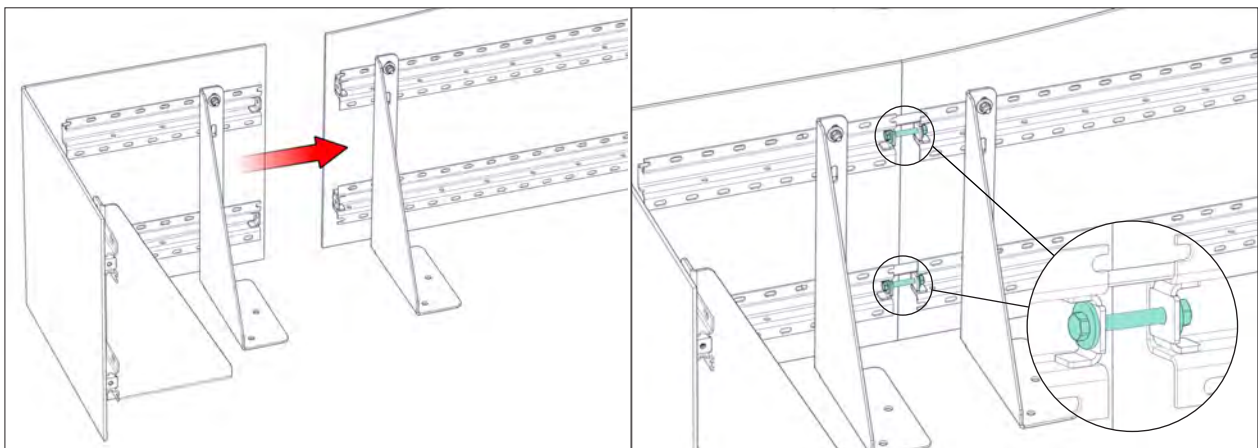
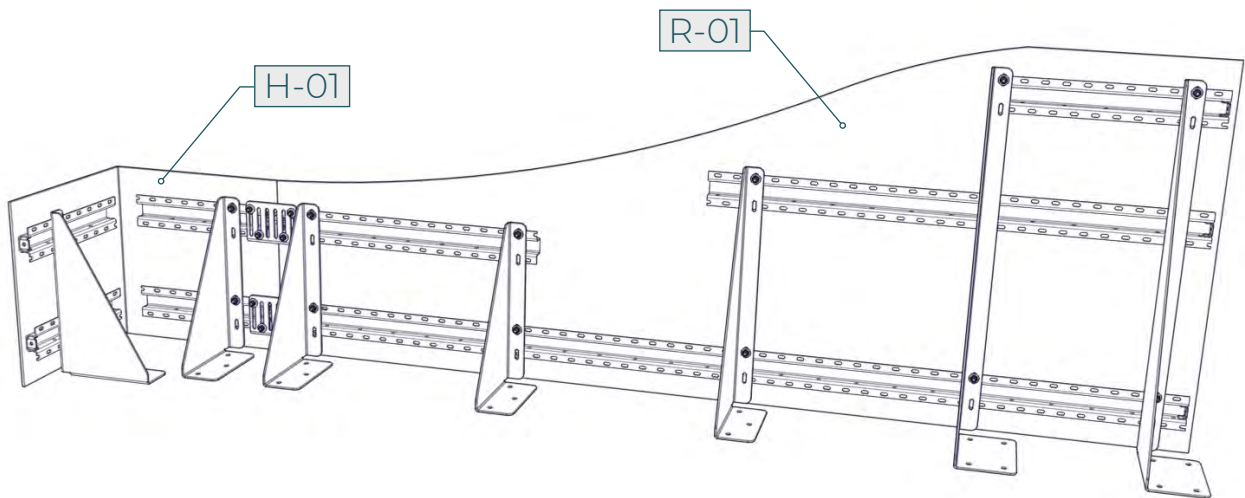
Nut M8

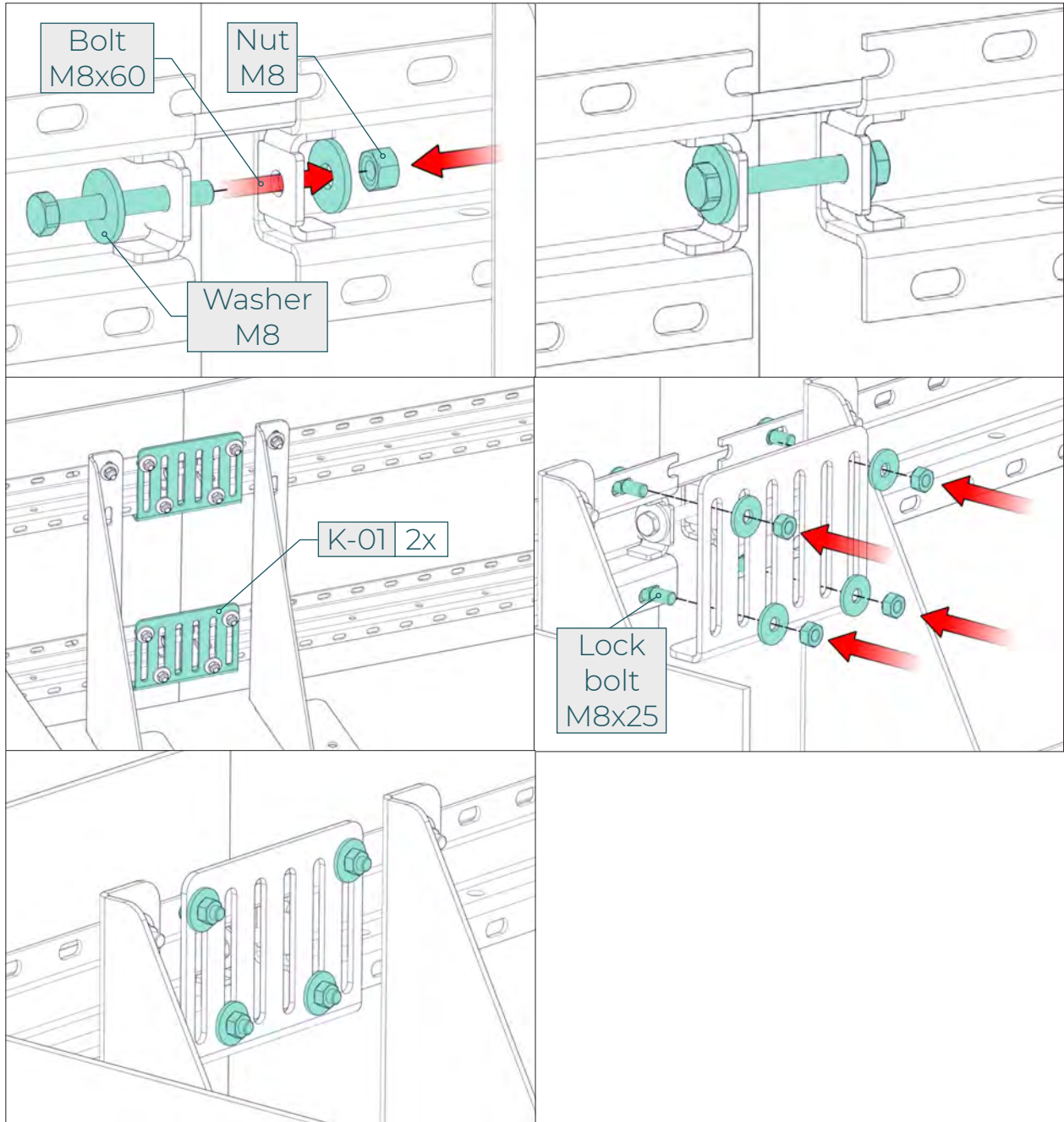


Washer M8



Lock bolt  
M8x25





Nut M8



Washer M8



Lock bolt  
M8x25

